

Trojan Type 'J'



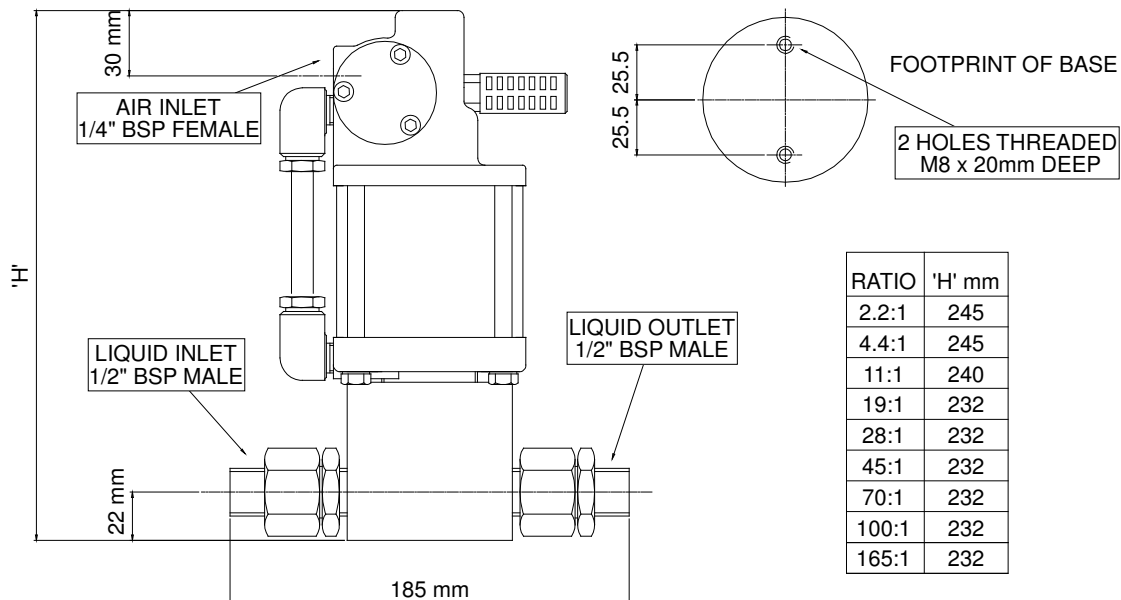
Trojan Type - 'J'

The smallest pump in the **Trojan** range, the **Type 'J'** is ideal for the smaller capacity applications. These air-operated pumps, are principally designed for pressure testing application but are also used by many OEM customers. The **Trojan Type 'J'** range, offers:

- Nine models ranging from 14 bar to 1,095 bar.
- Volume outputs from 0.4 to 14 litres/minute.
- Minimum air pressure required to start standard pump will be up to 1 bar.
- Low pressure running version available.
- Available in portable pressure test packages.
- Stainless steel wetted parts
- Suitable for pumping water, oil and a wide range of fluids.
- Automatic stall against a closed outlet with no air consumption, automatic re-start.
- ATEX II, Cat. 2, GD T5

- Powered by any fixed or portable compressed air source up to 8 bar.
- Infinitely variable capacity and discharge pressure by simple regulation of air supply.

RATIO 1:	2.2	4.4	11	19	28	45	70	100	165
OUTPUT/CYCLE CC	48	48	19	10	7.5	4.5	3.0	2.1	1.3
MAXIMUM FREE FLOW litres/minute	10	14	5	3.2	2.4	1.4	0.9	0.6	0.4
MAX OUTPUT PRESSURE (BAR) (With an air supply of 7 bar)	14	29	73	126	185	290	465	665	1095



Trojan Type 'M'



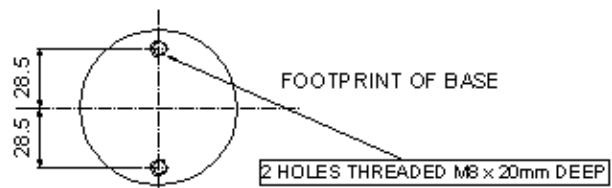
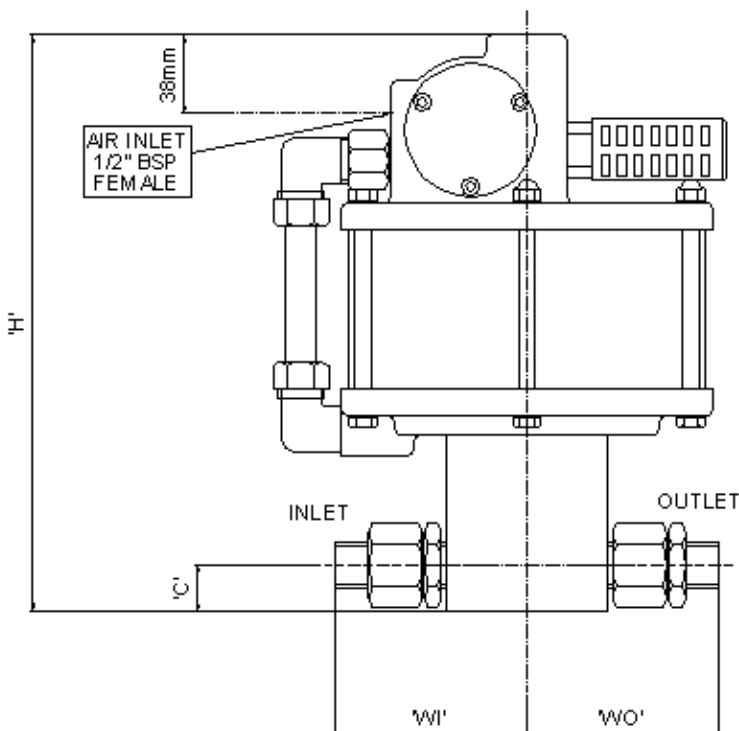
The Trojan Type 'M' air driven pumps, are a tried and tested series of units designed to deliver a wide range of fluids to pressures up to 2660 bar. The range features

- 12 models ranging from 29 bar to 2,660 bar.
- Volume outputs from 0.5 to 37 litres/minute.
- Minimum air pressure required to start pump will be up to 1 bar.
- Low pressure running version available.
- Available in portable pressure test packages.
- Stainless steel wetted parts
- Suitable for pumping water, oil and a wide range of fluids.
- Automatic stall against a closed outlet with no air consumption, automatic re-start.
- ATEX II, Cat. 2, GD T5

Trojan Type - 'M'

- Powered by any fixed or portable compressed air source up to 8 bar.
- Infinitely variable capacity and discharge pressure by simple regulation of air supply.

Trojan Type – 'M' RATIO 1:	4.4	9.9	13.8	17.6	28	38	53	79	114	159	256	400
OUTPUT/CYCLE CC	195	86	62	48	30	22	16	10	7	5	3	2
MAXIMUM FREE FLOW litres/minute	37	23	15	11	7.3	5.8	3.8	2.8	1.8	1.5	0.84	0.58
MAX. OUTPUT PRESSURE (BAR) (With an air supply of 7 bar)	29	65	90	115	185	250	350	525	755	1055	1700	2660



RATIO	'H' mm	'WI' mm	'WO' mm	'C' mm	LIQUID INLET	LIQUID OUTLET
4.4:1	311	120	116	28	1" BSP	3/4" BSP
9.9:1	303	114	110	28	1" BSP	3/4" BSP
13.8:1	292	114	110	28	1" BSP	3/4" BSP
17.6:1	284	110	92	28	3/4" BSP	1/2" BSP
28:1	279	110	92	28	3/4" BSP	1/2" BSP
38:1	276	110	92	28	3/4" BSP	1/2" BSP
53:1	262	92	92	22	1/2" BSP	1/2" BSP
79:1	262	92	92	22	1/2" BSP	1/2" BSP
114:1	262	92	92	22	1/2" BSP	1/2" BSP
159:1	262	92	92	22	1/2" BSP	1/2" BSP
256:1	262	92	104	22	1/2" BSP	3/4" UNF fem.
400:1	262	92	104	22	1/2" BSP	3/4" UNF fem.

The Trojan Type 'M' DIMENSIONS