

Madan Uni-Cub

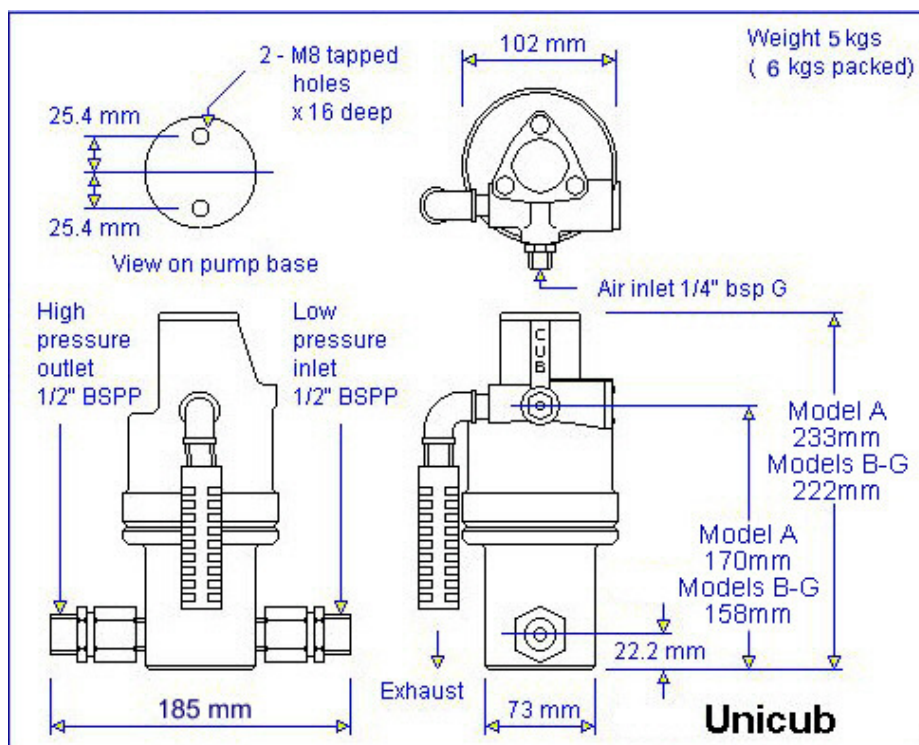


The compact, sturdy and time proved series of **Madan** air-operated pumps, are principally designed for pressure testing application but are also used by many OEM customers. The smallest in the **Madan** pump range, the **Uni-Cub**, offers:

- Seven models ranging from 28 bar to 1,080 bar.
 - Volume outputs from 0 to 14 litres/minute.
 - Minimum air pressure required to start pump will be up to 1 bar.
 - Available in portable pressure test packages.
 - Stainless steel wetted parts
 - Suitable for pumping water, oil and a wide range of fluids.
 - Automatic stall against a closed outlet with no air consumption, automatic re-start.
- Powered by any fixed or portable compressed air source to 7 bar.
 - Infinitely variable capacity and discharge pressure by simple regulation of air supply.

UNI-CUB

UNI-CUB MODEL	A	B	C	D	E	F	G
RATIO 1:	4.3	11.9	26.7	47.5	68.4	107	163
OUTPUT/CYCLE CC	28	10	4.5	2.5	1.7	1.1	0.7
MAXIMUM FREE FLOW litres/minute	14	5	2.4	1.4	0.9	0.6	0.4
MAX. OUTPUT PRESSURE (BAR)	28	79	175	315	455	710	1080



Madan Mark 7



The Madan MK 7 air driven pumps, are a tried and tested series of units designed to deliver a wide range of fluids to pressures up to 2440 bar. The range features

- 12 models ranging from 27 bar to 2,440 bar.
- Volume outputs from 0 to 37 litres/minute.
- Minimum air pressure required to start pump will be up to 1 bar.
- Available in portable pressure test packages.
- Stainless steel wetted parts
- Suitable for pumping water, oil and a wide range of fluids.
- Automatic stall against a closed outlet with no air consumption, automatic re-start.

Mark 7

- Powered by any fixed or portable compressed air source to 7 bar.
- Infinitely variable capacity and discharge pressure by simple regulation of air supply.

Mark 7 RATIO 1:	4	9	13.6	19	28.4	36	54.5	76.5	113	145	256	368
OUTPUT/CYCLE CC	160	70	50	34	23	18	12	8	6	4	2.5	1.7
MAXIMUM FREE FLOW litres/minute	37	23	15	11	7.3	5.8	3.8	2.8	1.8	1.5	0.84	0.58
MAX. OUTPUT PRESSURE (BAR)	27	60	90	126	188	240	360	510	750	964	1700	2440

2 - M8 tapped holes
x 13 deep
View on pump base

178 mm

48 mm

C

High Pressure Outlet F

Low Pressure Inlet E

A

B

Approx. Weight
12 kgs (14 kgs packed)

Mark 7

PUMP RATIO	A	B	C	D	E INLET	F OUTLET
1:4	230	38	219	35	1" BSP	3/4" BSP
1:9 & 1:13.6	230	38	210	35	1" BSP	3/4" BSP
1:19 TO 1:36	195	22	203	29	3/4" BSP	1/2" BSP
1:54.5 TO 1:145	178	22	203	29	1/2" BSP	1/2" BSP
1:256 & 1:368	267	22	203	29	1/2" BSP	3/4" UNF H.P. CONNECTION