

TROJAN 'M' or Mark 7 SELF CONTAINED PORTABLE POWER PACK

Simple to operate:-

- 1/ Connect air supply.
- 2/ Connect liquid supply if no reservoir.
- 3/ Connect to test specimen.
- 4/ Perform Pressure Test.
- 5/ Release pressure.

End of Test.



(Shown with optional Reservoir and Carrying Handles.)

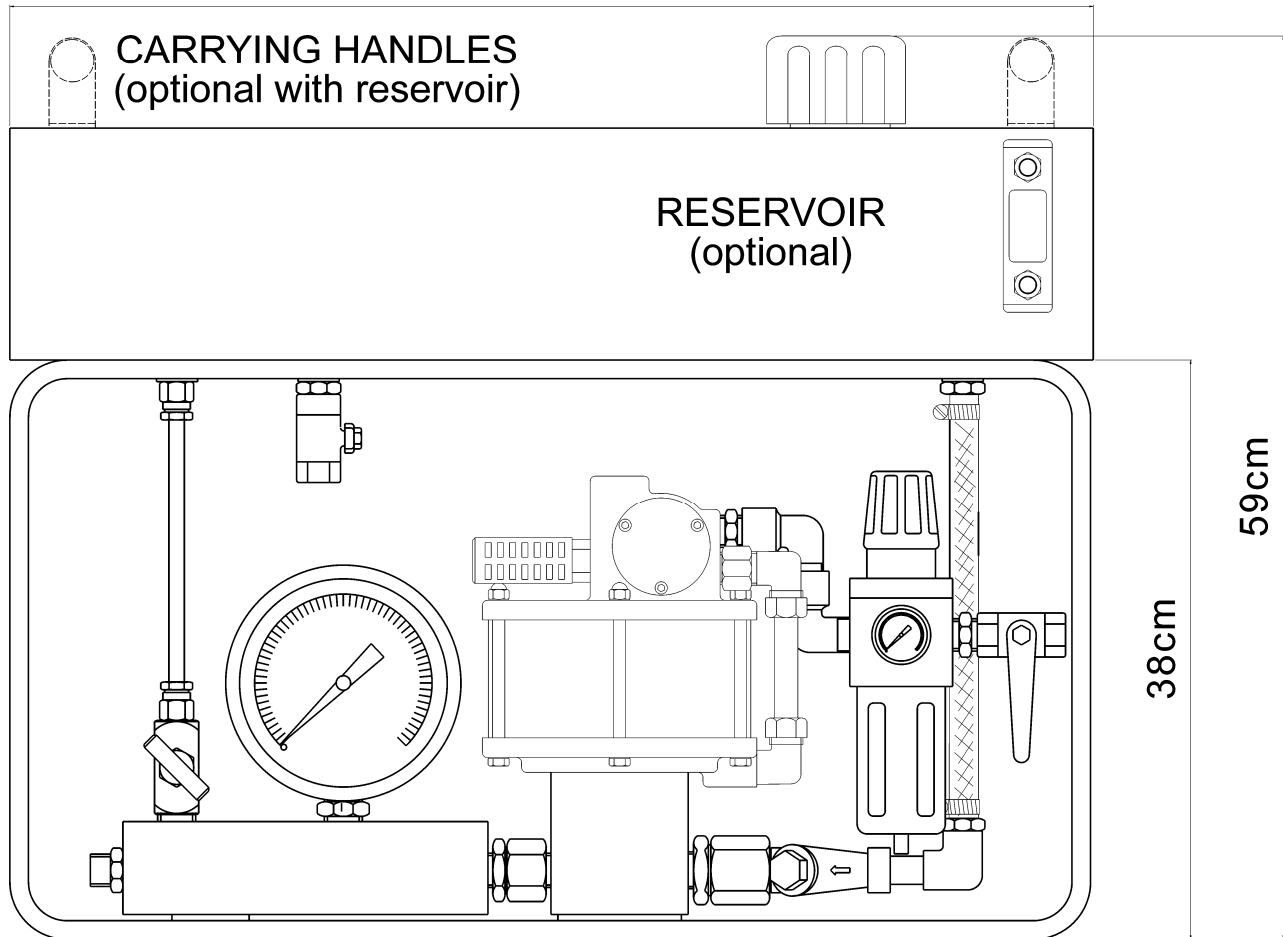
Whether intended to be used as a mobile unit or installed in a permanent position the **Portable Power Pack** has been developed to provide a ready to use pressure testing rig.

Suitable for use with oil or water and available with or without a liquid reservoir the **Portable Power Pack** has the following features:-

- 1/ Output pressures up to 2,660 bar (38,570 psi) depending on the model of **Trojan Type 'M'** or **Mark 7** pump fitted.
- 2/ Air inlet on/off ball valve.
- 3/ Air inlet combined filter and pressure regulator.
- 4/ Air Pressure Gauge
- 5/ Liquid inlet strainer.
- 6/ Outlet pressure gauge.
- 7/ Outlet pressure release valve. (piped back to reservoir when fitted).
- 8/ Sturdy stainless steel frame.
- 9/ Optional stainless steel reservoir (26 litres) with drain tap, filler cap, strainer and level sight glass.
- 10/ Optional carrying handles with reservoir.

Available from:- Hydraulic Pneumatic Services Ltd,
Unit 17, King St. Industrial Estate,
Middlewich, Cheshire, CW10 9LF.(UK)
Tel:-+44 (0)1606 835725 Fax:-+44 (0)1606 737358
Web site www.pressure-pumps.co.uk

70cm (x 25cm WIDE)



Optional carrying handles are available when the Power Pack is fitted with a reservoir.