


Trojan Type 'J'



Trojan Type - 'J'

The smallest pump in the **Trojan** range, the **Type 'J'** is ideal for the smaller capacity applications. These air-operated pumps, are principally designed for pressure testing application but are also used by many OEM customers. The **Trojan Type 'J'** range, offers:

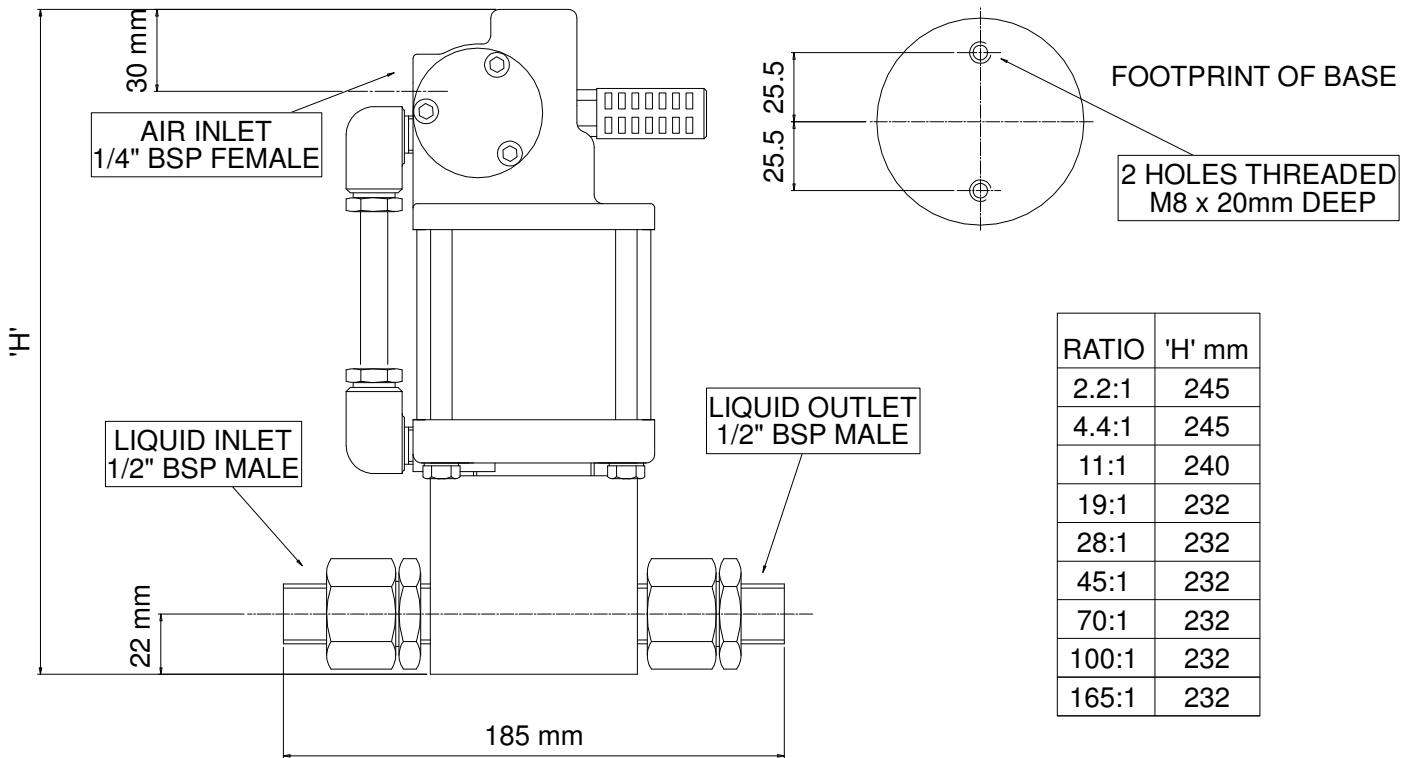
- Nine ratios ranging from 14 bar to 1,254 bar.
- Volume outputs from 0.4 to 14 litres/minute.
- Minimum air pressure required to start standard pump will be up to 1 bar.
- Low pressure running version available.
- Available in portable pressure test packages.
- Stainless steel wetted parts
- Suitable for pumping water, oil and a wide range of fluids.
- Automatic stall against a closed outlet with no air consumption, automatic re-start.

- ATEX  II 2G Ex h IIC T5 Gb
 II 2D Ex h IIIC T100°C Db

- Powered by any fixed or portable compressed air source up to 8 bar.
- Infinitely variable capacity and discharge pressure by simple regulation of air supply.

RATIO:- 1 to	2.2	4.4	11	19	28	45	70	100	165
OUTPUT/CYCLE CC	48	48	19	10	7.5	4.5	3.0	2.1	1.3
MAXIMUM FREE FLOW litres/minute	10	14	5	3.2	2.4	1.4	0.9	0.6	0.4
OUTPUT PRESSURE (BAR) (With an air supply of 7 bar)	14	29	73	126	185	290	465	665	1095
MAXIMUM OUTPUT PRESSURE (BAR) (With an air supply of 8 bar)	16	33	83	144	212	342	532	760	1254

Trojan Type - 'J' Pump Dimensions.



The Trojan Type 'J' can also be supplied in the form of a complete, ready to use Powerpack. Contact your supplier for more details.



Trojan Type 'J' Portable Powerpack.

Pumps and spares are available from:-

Hydraulic Pneumatic Services Ltd,
 Unit 17, King Street Trading Estate,
 Middlewich,
 Cheshire, UK
 CW10 9LF Tel: +44 (0)1606 835725