

Trojan Type 'J' Self Contained Portable Power Pack

ATEX



II 2G Ex h IIC T5 Gb
II 2D Ex h IIC T100°C Db

Simple to operate:-

- 1/ Connect air supply.
 - 2/ Connect liquid supply if no reservoir.
 - 3/ Connect to test specimen.
 - 4/ Perform Pressure Test.
 - 5/ Release pressure.
- End of Test.



(Shown with optional Reservoir and Carrying Handle.)

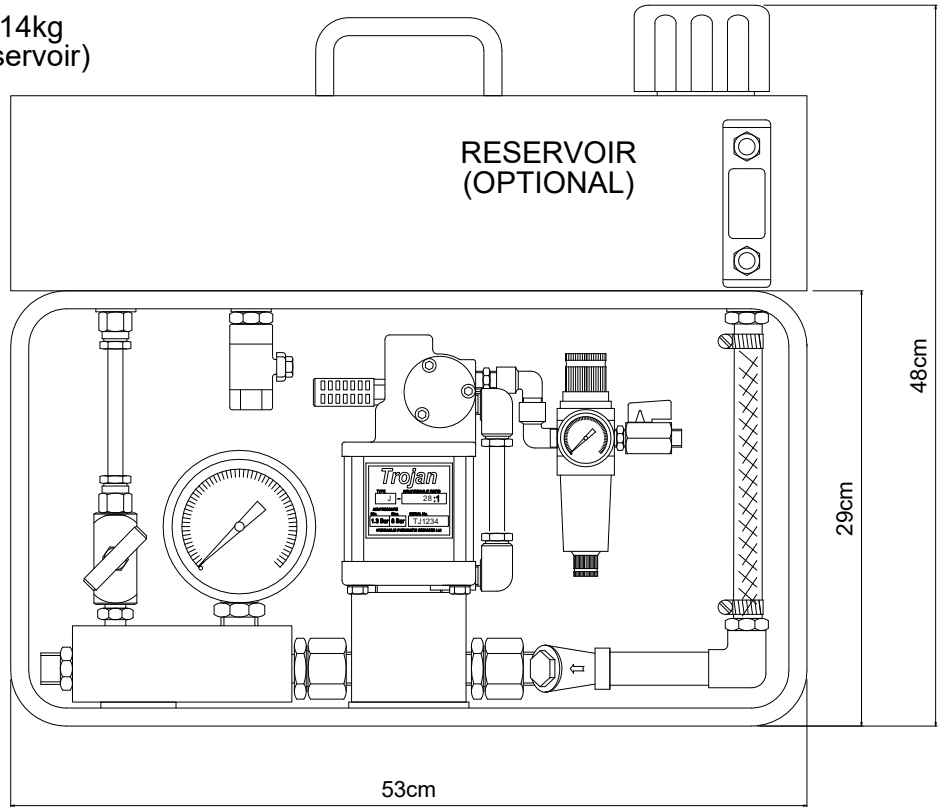
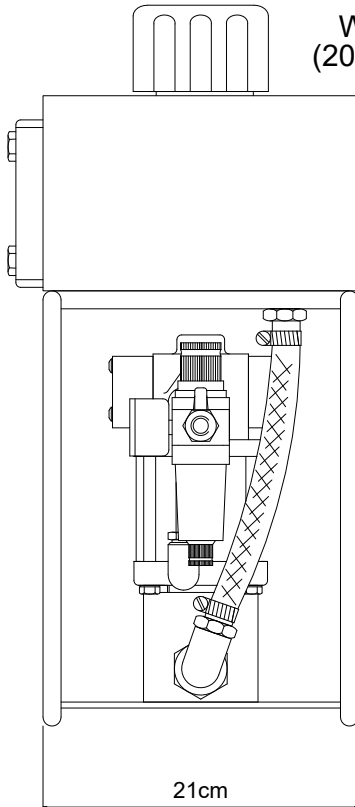
Whether intended to be used as a mobile unit or installed in a permanent position the **Portable Power Pack** has been developed to provide a ready to use pressure testing rig.

Suitable for use with oil or water and available with or without a liquid reservoir the **Portable Power Pack** has the following features:-

- 1/ Output pressures up to 1,254 bar depending on the model of **Trojan Type 'J'** pump fitted.
- 2/ Air inlet on/off ball valve.
- 3/ Air inlet combined filter and pressure regulator.
- 4/ Air Pressure Gauge
- 5/ Liquid inlet strainer.
- 6/ Outlet pressure gauge.
- 7/ Outlet pressure release valve. (piped back to reservoir when fitted).
- 8/ Sturdy stainless steel frame.
- 9/ Optional stainless steel reservoir with carrying handle (14 litres) with drain tap, filler cap, strainer and level sight glass.

Trojan Type 'J'
PORTABLE POWERPACK

WEIGHT = 14kg
(20kg with reservoir)



Available from:- Hydraulic Pneumatic Services Ltd, Unit 17, King St. Industrial Estate, Middlewich, Cheshire, CW10 9LF.(UK) Tel:-+44 (0)1606 835725 Web site www.trojanpumps.com .
Email: enquiries@pressure-pumps.co.uk