

# TROJAN 'J'

## SELF CONTAINED PORTABLE POWER PACK

ATEX  II 2G Ex h IIC T5 Gb  
II 2D Ex h III C T100°C Db

Simple to operate:-

- 1/ Connect air supply.
- 2/ Connect liquid supply if no reservoir.
- 3/ Connect to test specimen.
- 4/ Perform Pressure Test.
- 5/ Release pressure.

End of Test.



(Shown with optional Reservoir and Carrying Handle.)

Whether intended to be used as a mobile unit or installed in a permanent position the **Portable Power Pack** has been developed to provide a ready to use pressure testing rig.

Suitable for use with oil or water and available with or without a liquid reservoir the **Portable Power Pack** has the following features:-

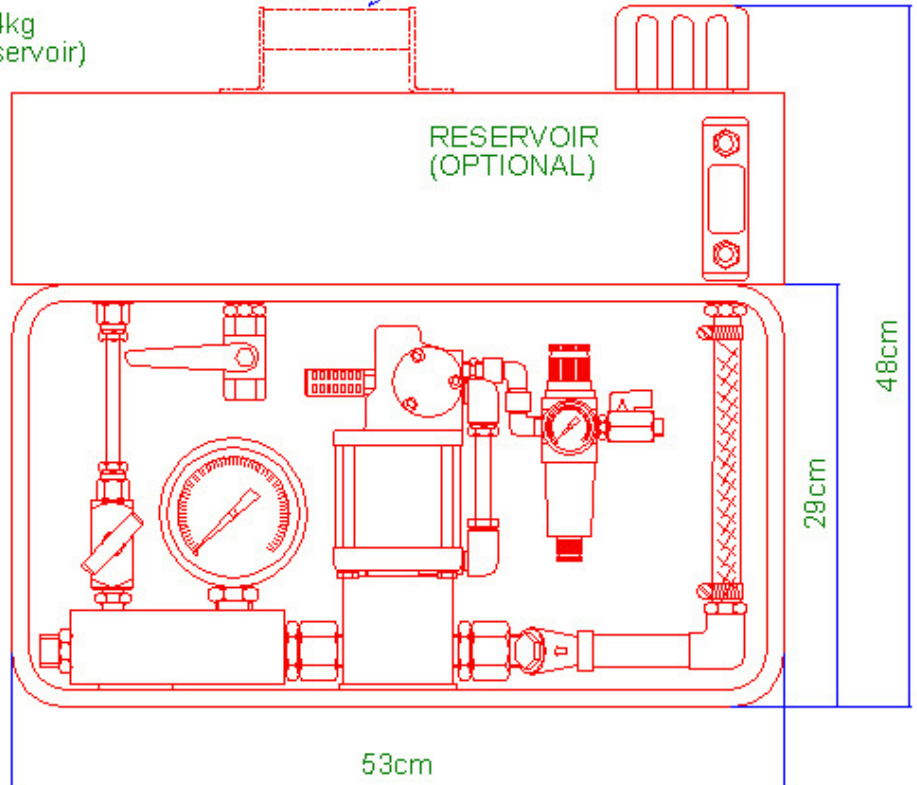
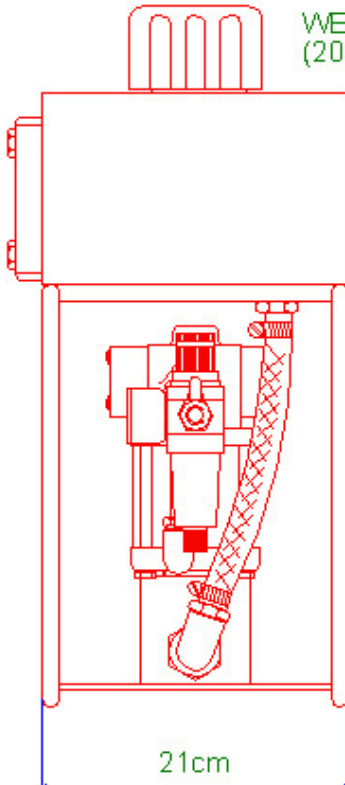
- 1/ **Output pressures up to 1,254 bar depending on the model of Trojan Type 'J' pump fitted.**
- 2/ **Air inlet on/off ball valve.**
- 3/ **Air inlet combined filter and pressure regulator.**
- 4/ **Air Pressure Gauge**
- 5/ **Liquid inlet strainer.**
- 6/ **Outlet pressure gauge.**
- 7/ **Outlet pressure release valve. (piped back to reservoir when fitted).**
- 8/ **Sturdy stainless steel frame.**
- 9/ **Optional stainless steel reservoir with carrying handle (14 litres) with drain tap, filler cap, strainer and level sight glass.**

Available from:- Hydraulic Pneumatic Services Ltd,  
Unit 17, King St. Industrial Estate,  
Middlewich, Cheshire, CW10 9LF.(UK)  
Tel:-+44 (0)1606 835725  
Web site [www.trojanpumps.com](http://www.trojanpumps.com)

## Trojan-'J' / Uni-Cub PORTABLE POWERPACK

CARRYING HANDLE  
(optional with reservoir)

WEIGHT = 14kg  
(20kg with reservoir)



Available from:- Hydraulic Pneumatic Services Ltd, Unit 17, King St. Industrial Estate, Middlewich, Cheshire, CW10 9LF.(UK) Tel: +44 (0)1606 835725 Web site [www.trojanpumps.com](http://www.trojanpumps.com)