

TROJAN 'J'

SELF CONTAINED PORTABLE POWER PACK

ATEX II, Cat. 2, GD T5

Simple to operate:-

- 1/ Connect air supply.
- 2/ Connect liquid supply if no reservoir.
- 3/ Connect to test specimen.
- 4/ Perform Pressure Test.
- 5/ Release pressure.

End of Test.



(Shown with optional Reservoir and Carrying Handle.)

Whether intended to be used as a mobile unit or installed in a permanent position the **Portable Power Pack** has been developed to provide a ready to use pressure testing rig.

Suitable for use with oil or water and available with or without a liquid reservoir the **Portable Power Pack** has the following features:-

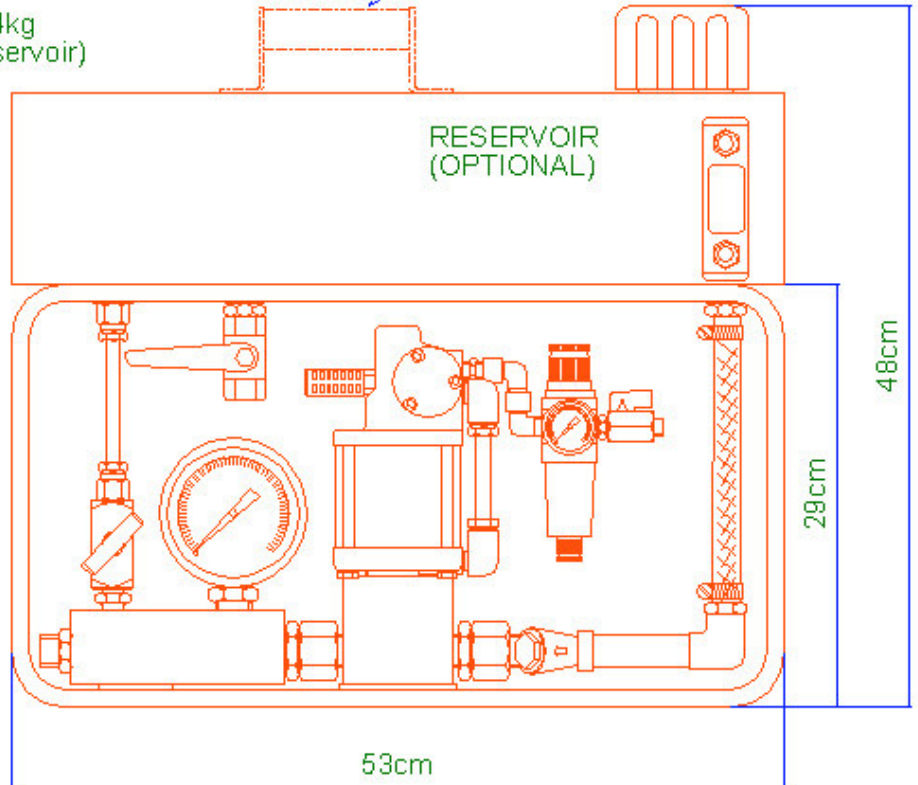
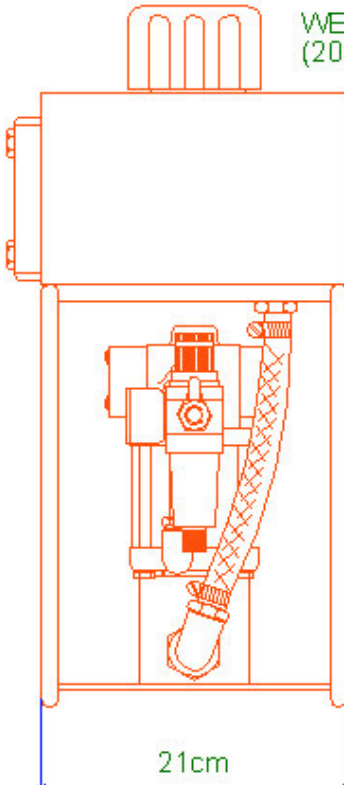
- 1/ Output pressures up to 1095 bar (15,877 psi) depending on the model of **Trojan Type 'J'** pump fitted.
- 2/ Air inlet on/off ball valve.
- 3/ Air inlet combined filter and pressure regulator.
- 4/ Air Pressure Gauge
- 5/ Liquid inlet strainer.
- 6/ Outlet pressure gauge.
- 7/ Outlet pressure release valve. (piped back to reservoir when fitted).
- 8/ Sturdy stainless steel frame.
- 9/ Optional stainless steel reservoir (14 litres) with drain tap, filler cap, strainer and level sight glass.
- 10/ Optional carrying handle with reservoir.

Available from:- Hydraulic Pneumatic Services Ltd,
Unit 17, King St. Industrial Estate,
Middlewich, Cheshire, CW10 9LF.(UK)
Tel:-+44 (0)1606 835725 Fax:-+44 (0)1606 737358
Web site www.pressure-pumps.co.uk

Trojan-'J' / Uni-Cub PORTABLE POWERPACK

CARRYING HANDLE
(optional with reservoir)

WEIGHT = 14kg
(20kg with reservoir)



Optional carrying handle
available when the
Power Pack is fitted with a
reservoir.



Available from:- Hydraulic Pneumatic Services Ltd, Unit 17, King St. Industrial Estate, Middlewich, Cheshire, CW10 9LF.(UK) Tel: +44 (0)1606 835725 Fax: +44 (0)1606 737358 Web site www.pressure-pumps.co.uk