

Trojan

Type-‘MD’

Double Acting Air Powered High Pressure Pumps



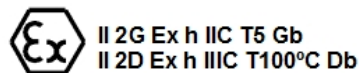
The **DOUBLE ACTING Trojan Type ‘MD’** is an efficient, compact and reliable pump for generating hydraulic power from a standard compressed air line.

The pump utilises a low pressure air input of 1.5 – 8 bar to generate output pressures of up to 2,964 bar.

Being **Double Acting** considerably reduces the output pressure pulses which are generated by all reciprocating pumps, and also reduces the severity of the pulses in the suction line as the pump changes direction.

By means of an air pressure regulator the pump can be set to stall and maintain any pressure within the range of the pump, automatic re-start will compensate for any pressure loss.

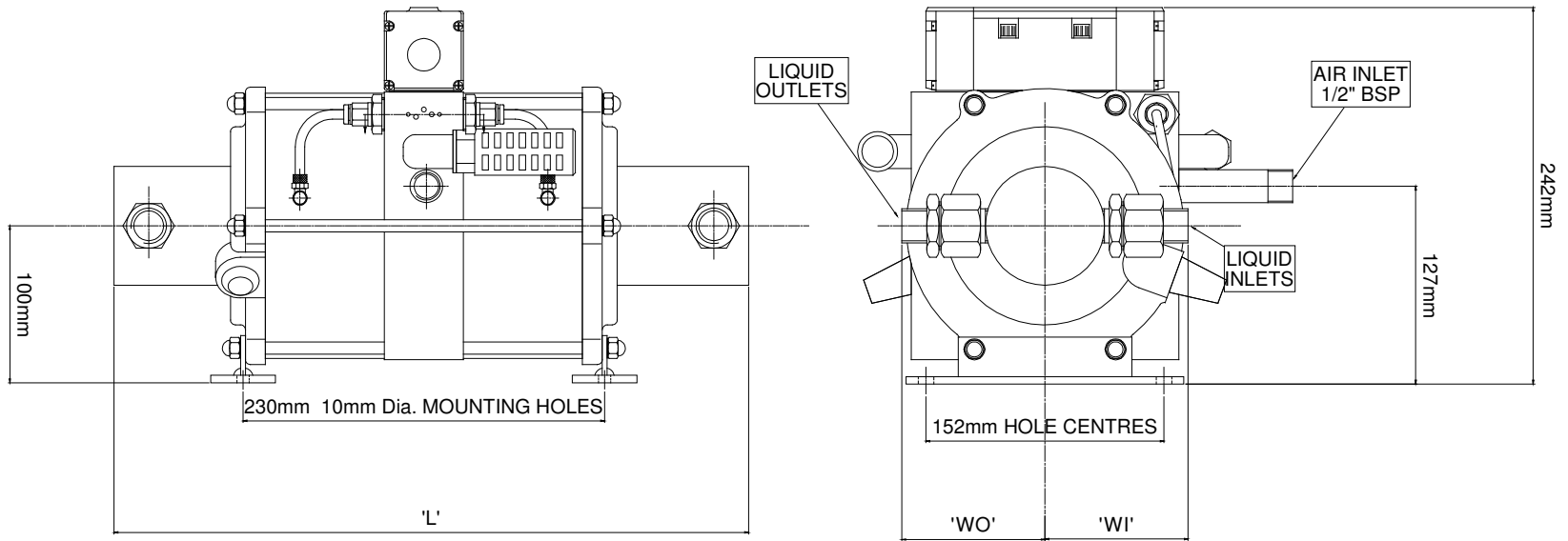
- **Compact**
- **Lightweight**
- **Simple operation**
- **Reliable**
- **Sturdy construction**
- **Easily maintained**
- **Stainless steel wetted parts suitable for oil or water use.**
- **Will hold a static pressure indefinitely with no power consumption or heat generation.**
- **ATEX**



Hydraulic Pneumatic Services Ltd, Unit 17, King Street Trading Estate, Middlewich, Cheshire, UK, CW10 9LF.

Tel: +44 (0)1606 835725 Web: www.trojanpumps.com

email sales@pressure-pumps.co.uk



RATIO	'L' mm	'WI' mm	'WO' mm	LIQUID INLETS	LIQUID OUTLETS
4.3:1	493	120	116	1" BSP Male	3/4" BSP Male
9.7:1	467	114	110	1" BSP Male	3/4" BSP Male
13.5:1	423	114	110	1" BSP Male	3/4" BSP Male
17:1	415	110	92	3/4" BSP Male	1/2" BSP Male
27:1	400	110	92	3/4" BSP Male	1/2" BSP Male
37:1	400	110	92	3/4" BSP Male	1/2" BSP Male
51:1	400	92	92	1/2" BSP Male	1/2" BSP Male
77:1	400	92	92	1/2" BSP Male	1/2" BSP Male
111:1	400	92	92	1/2" BSP Male	1/2" BSP Male
154:1	400	92	92	1/2" BSP Male	1/2" BSP Male
249:1	400	92	104	1/2" BSP Male	3/4" UNF Fem.
390:1	400	92	104	1/2" BSP Male	3/4" UNF Fem.

The DOUBLE ACTING Trojan Type 'MD'

APPROXIMATE DIMENSIONS

ALL DIMENSIONS IN MILLIMETERS UNLESS OTHERWISE STATED

<small>Headquarters: Progressive Services Ltd Unit 17, King Street Trading Estate Macclesfield, Cheshire, CW10 1SL Telephone: 01625 521200 Fax: 01625 523556</small>	<small>DRAWN: JAC DATE: 24-02-03</small>	<small>FIRST ANGLE PROJECTION</small> 	<small>SCALE: 1:1 WHEN PRINTED A0</small>	<small>TITLE:</small>
--	---	--	--	-----------------------

The DOUBLE ACTING Trojan Type 'MD'

DRG No.
10104